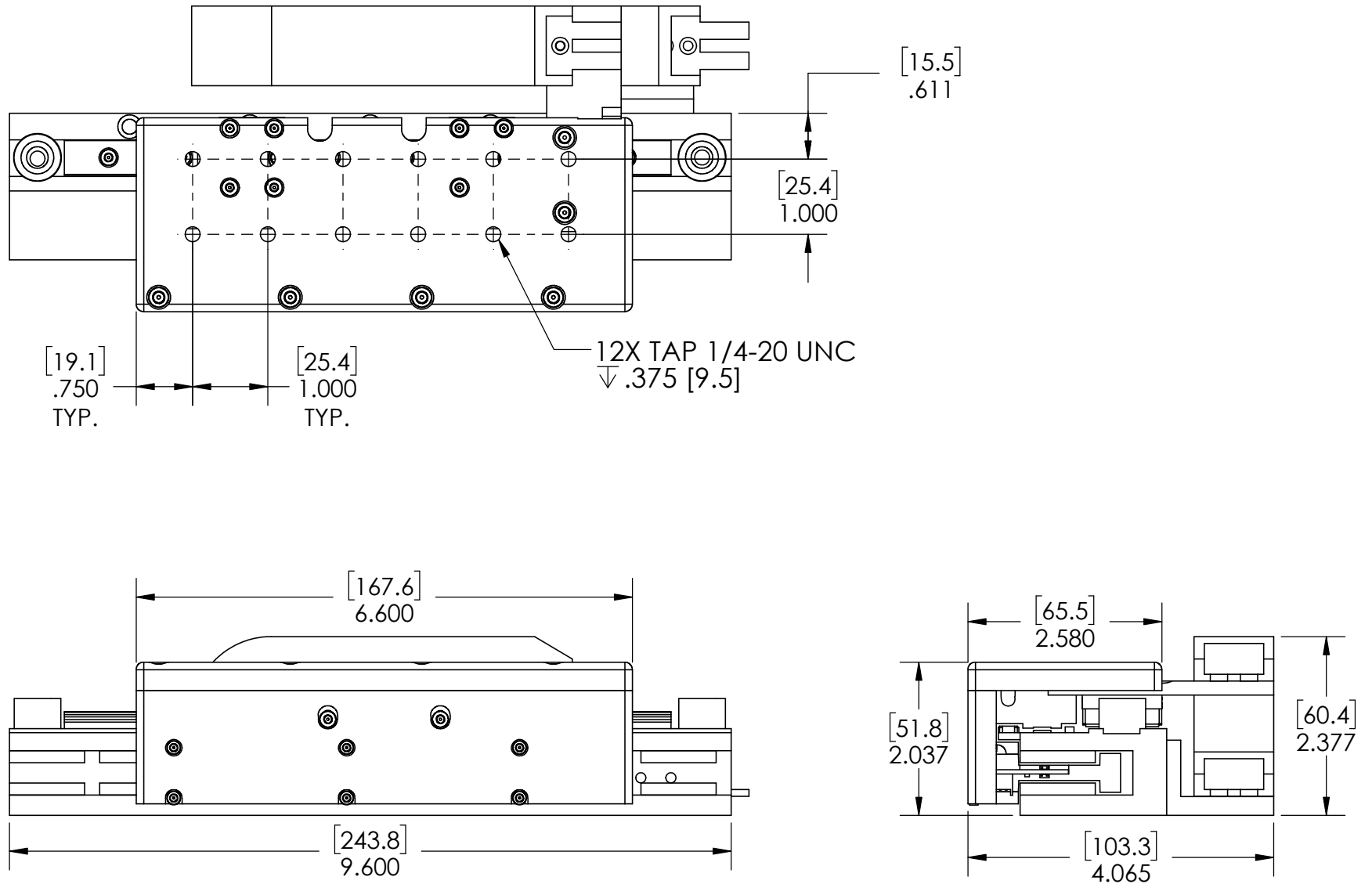


REVISION TABLE					
REV	ECN#	DESCRIPTION	REV BY	APPROVED	DATE
---	---	Original Drawing	OOG	MPW	4-13-18



H2W Technologies, Inc.
 Santa Clarita, CA 91350 USA
 Tel: (661) 291-1620
www.h2wtech.com

These drawings and specifications are the property of H2W Technologies, Inc. They are issued in confidence and shall not be reproduced, copied, or used without written permission from H2W Technologies, Inc.

UNLESS SPECIFIED OTHERWISE:
 All dimensions are in inches
 Standard Tolerances are as follows
 .XXX ±.005 ANGLES ±.1°
 .XX ±.010 FILLETS .010
 .X ±.020 CORNERS .010
 Remove All Burrs and Sharp Edges

**FOR
 REFERENCE
 ONLY**

MATERIAL
 FINISH

TITLE
 Single Rail Positioning Stage Model #:
SRS-003-03-010-B

DWG # **40-0446**
 REV ---
 DATE 4-13-18 SHEET 1 of 3

1

2

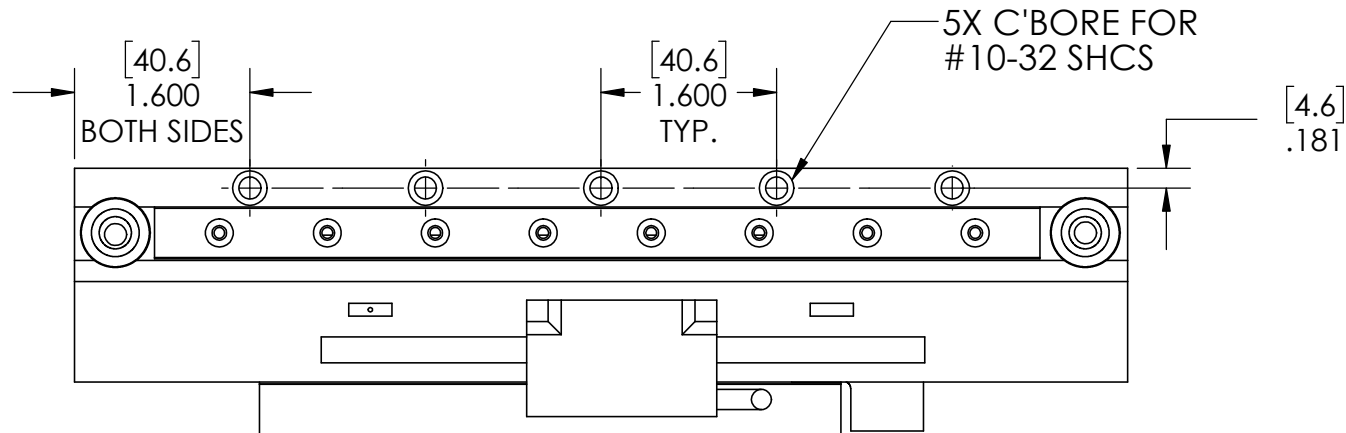
3

4

5

MOUNTING PROVISIONS

PARTS HAVE BEEN HIDDEN
TO SHOWN MOUNTING HOLES



A

A

B

B

C

C

D

D



H2W Technologies, Inc.
Santa Clarita, CA 91350 USA
Tel: (661) 291-1620
www.h2wtech.com

These drawings and specifications are the property of H2W Technologies, Inc. They are issued in confidence and shall not be reproduced, copied, or used without written permission from H2W Technologies, Inc.

UNLESS SPECIFIED OTHERWISE:
All dimensions are in inches
Standard Tolerances are as follows
.XXX ±.005 ANGLES ±.1°
.XX ±.010 FILLETS .010
.X ±.020 CORNERS .010
Remove All Burrs and Sharp Edges

**FOR
REFERENCE
ONLY**

MATERIAL

FINISH

TITLE

Single Rail Positioning Stage Model #:
SRS-003-03-010-B

DWG #

40-0446

REV

DATE

4-13-18

SHEET

2 of 3

1

2

3

4

5

A

A

B

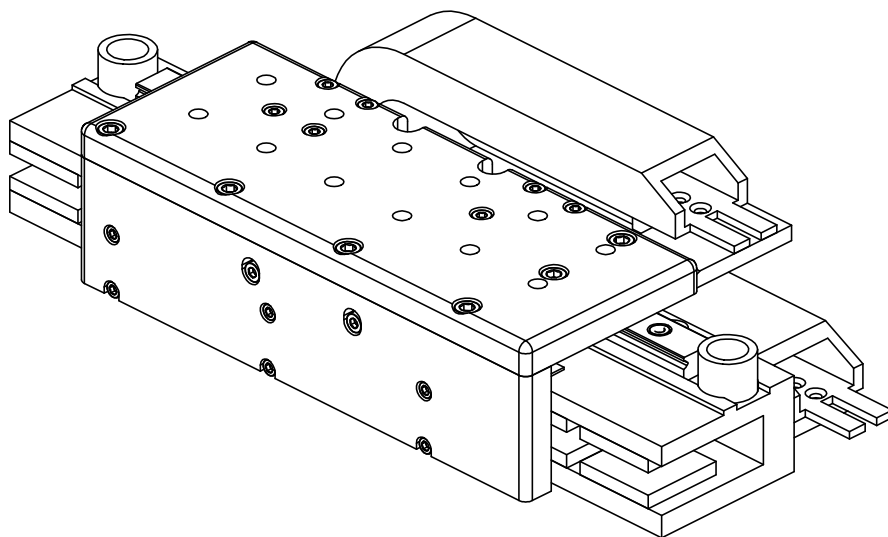
B

C

C

D

D



SINGLE RAIL POSITIONING STAGE SPECIFICATIONS

Motor P/N	BLDM-B04	
Stroke	3.375 in	85.72 mm
Encoder Resolution	1 micron	
Bearing Type	Recirculating Ball	
Moving Mass	1.25 lbs	0.57 kg
Total Mass	6.50 lbs	2.95 kg
Resistance @ 20C	6.4 ohms	
Inductance @ 20C	4.0 mH	
Electrical Time Constant	1 msec	
Motor Constant	1.2 LBS/SQRT(Watt)	5.20 N/SQRT(Watt)
Force Constant	3.0 LBS/Amp	13.2 N/Amp
Back EMF	0.34 V/ips	13.2 V/m/sec
Force @ 100% Duty	6.2 lbs	27.8 N
Power @ 100% Duty	39.3 watts	
Current @ 100% Duty	2.1 amps	
Force @ 10% Duty	18.7 lbs	83.3 N
Power @ 10% Duty	353.7 watts	
Current @ 10% Duty	6.3 amps	
Stage Length	9.6 in	167.6 mm
Stage Width	4.10 in	103.6 mm
Stage Height	2.40 in	60.4 mm



H2W Technologies, Inc.

Santa Clarita, CA 91350 USA
Tel: (661) 291-1620

www.h2wtech.com

These drawings and specifications are the property of H2W Technologies, Inc. They are issued in confidence and shall not be reproduced, copied, or used without written permission from H2W Technologies, Inc.

UNLESS SPECIFIED OTHERWISE:
All dimensions are in inches
Standard Tolerances are as follows
.XXX ±.005 ANGLES ±.1°
.XX ±.010 FILLETS .010
.X ±.020 CORNERS .010
Remove All Burrs and Sharp Edges

**FOR
REFERENCE
ONLY**

MATERIAL

FINISH

TITLE
Single Rail Positioning Stage Model #:

SRS-003-03-010-B

DWG # **40-0446**

REV ---

DATE 4-13-18 SHEET 3 of 3